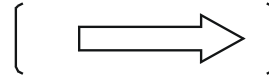


Quotation Number	:	Fan Code	:	31JT-3SP-UBB-TB
Project Name	:	Customer	:	Ventrite
Item Reference:	:	Date:	:	Thursday, July 10, 2014

31JT-3SP-UBB-TB*



300°C

Fan Description 315 mm, Unidirectional, 300 Deg C, Cylindrical Silencer, Inlet and Outlet Guard
 Flow Rate 1.19 / 0.6 m³/s
 Thrust 22 / 6 N
 Fan Speed 2900 rpm / 1470 rpm

Fan Diameter / Size 315 Size / mm
 Silencer Type Cylindrical
 Form of Running B

Unit Height 420 mm
 Unit Length 2091 mm
 Unit Weight 84 kg
 Unit Width 415 mm
 Outline Drawing Number D710207

Absorbed Power 0.700 / 0.090 kW

Motor

Smoke Venting 300°C for 2 Hours
 Motor Frame 80
 Motor Rating 0.800 / 0.100 kW
 Full Load Current 1.88 / 0.56 A
 Starting Current 14.6 / 2.84 A
 Electrical Supply 380-420 Volts 50 Hz 3 Phase
 Start Type DOL
 Control Two Speed

* "TB" for Terminal Box / "ISL" for Isolator. Note: Induction fans are fitted with Isolators only. Otherwise Terminal Box fitted as standard, Isolator only supplied on order.

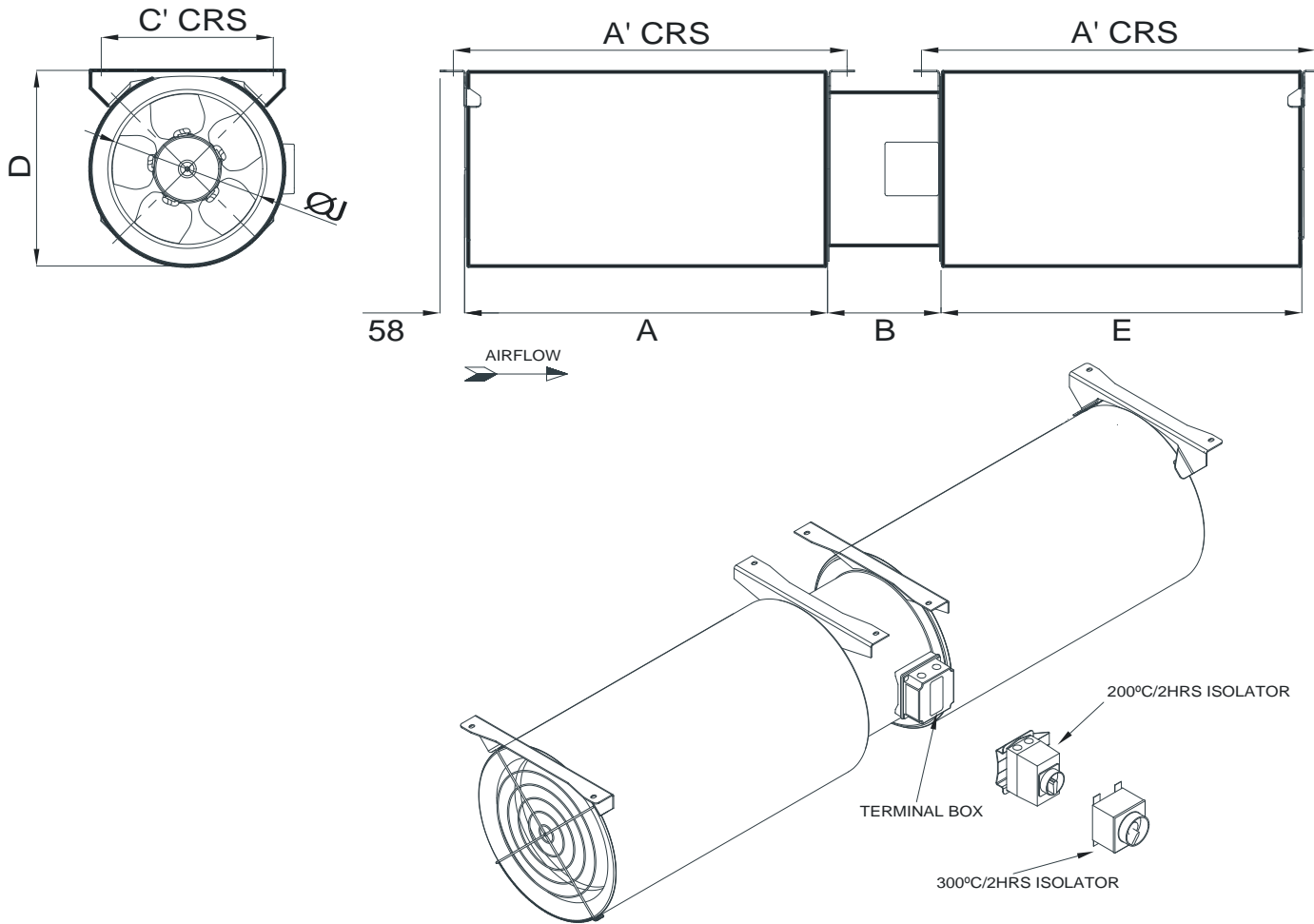
Sound Spectrum (Hz)	63	125	250	500	1k	2k	4k	8k	dB (LwA)
Sound Power (Lw) at 2900 rpm	82	82	84	77	75	73	70	64	81
Sound Power (Lw) at 1470 rpm	67	69	66	62	60	58	55	49	66

Description	Qty	Nett Unit Price	Price
Fan 31JT-3SP-UBB-TB	1	enquire	enquire
Fan Accessories			
TOTAL PRICE (Fan / Accessories / Controls) Ex Works			enquire
Optional Controllers & Sensors	Optional Accessories		



Quotation Number :
 Project Name : Bompas Road
 Item Reference :

Fan Code : 31JT-3SP-UBB-TB
 Customer : Ventrite
 Date : Thursday, July 10, 2014



Dia J	315
A	855
A'	940
B	265
B'	175
C'	365
D	420
E	1017
Total Length (mm)	2091
Unit Height	420
Unit Length	2091
Unit Weight	84
Unit Width	415

Notes : Dimensions shown in mm / Weight in kg

Reference: D710207

This drawing shows dimensions that should be used as a guide only and are subject to change. Certified drawings are available on request.