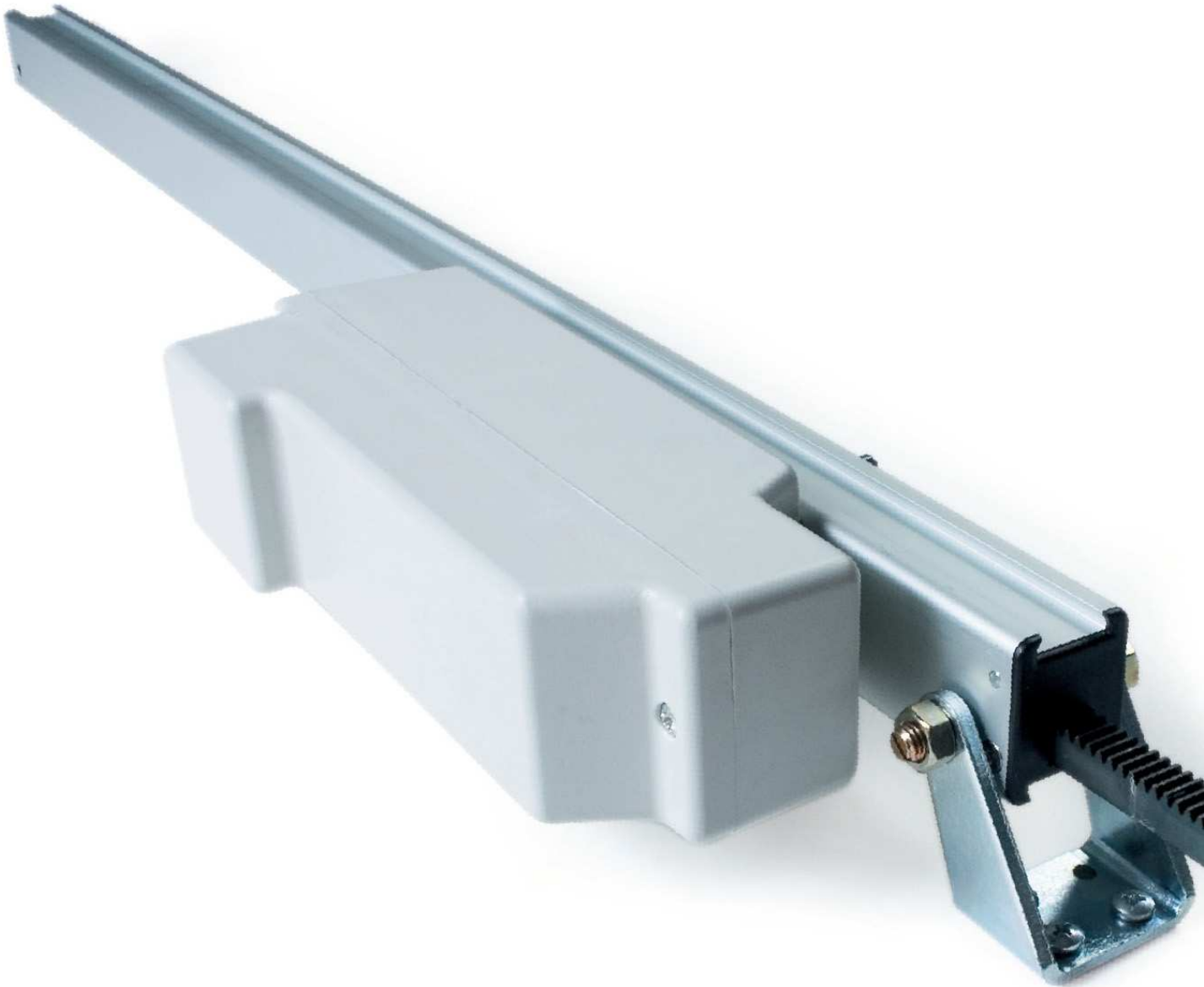


RACK

DUAL e DOUBLE-RACK

Linear rack actuators - Force in push action 650/1500 N - Stroke 180, 350, 550, 750 and 1000 mm



- 10 mm square rack transmission for stroke 180 mm, 350 mm, 550 mm and 12 mm square rack transmission for stroke 750 mm e 1000 mm.
- Supplied with 1,5 m cable.
- Available end brackets or sliding brackets (to be ordered separately); the dovetail slide allows the fixing on the whole length of the rack actuator.
- (*) RACK 24 Vdc is approved of from **TÜV** testing (No. KH00.1.2).

MULTIPLE SYSTEMS

- To guarantee more push points on the same vent the rack actuator can be used either in the Dual Rack version with rack groups or in the Double rack version with auxiliary rack actuators; these systems, since guarantee stability, are particularly adapt to open domes and very large top hinged windows.
- Dual Rack: Force 650 N (230 Vac) - 750 N (24 Vdc)
For each system assembly are necessary 1 Rack actuator, 1 Rack group, 1 connecting rod and 2 end brackets (part No. 40234E see following accessories)
- Double Rack: Force 1300 N (230 Vac) - 1500 N (24 Vdc)
For each system are necessary 1 Rack actuator, 1 Auxiliary Rack actuator in parallel connection, 1 connecting rod, and 2 end brackets (part No. 40234E see following accessories)
- Other multiple systems:
It is also available a rack group double pivot for 3 or more push - points systems.

	RACK 230 V AC	RACK 24 V DC (*)
VOLTAGE SUPPLY	230 Vac ± 10%	24 Vdc ± 10%
ELECTRIC CONNECTION	3 wires + earth	2 wires
OPERATION		by polarity inversion
FORCE IN PUSH ACTION	650 N	750 N
SPEED	~ 8 mm/s	~ 8 mm/s
CURRENT ABSORPTION (with mas load)	0,1 A	1 A
PARALLEL CONNECTION	YES	YES
LIMIT STOP	Electronic	Electronic
SAFETY STOP	Electronic	Electronic
SIGNAL LIMIT STOP POSITION		OPEN/CLOSE
TIME RATING	50%	50%
PROTECTION CLASS	IP 55	IP 55
COLOR	SILVER ANODIZED	SILVER ANODIZED

PART No.

STROKE 180 mm (A = 400 mm)	40209F	40400A
STROKE 350 mm (A = 570 mm)	40211T	40217D
STROKE 550 mm (A = 770 mm)	40213V	40219H
STROKE 750 mm (A = 970 mm)	40789D	40791F
STROKE 1000 mm (A = 1220 mm)	40790E	40792G

Note: A = lenght of the actuator (see next page in actuator dim.)

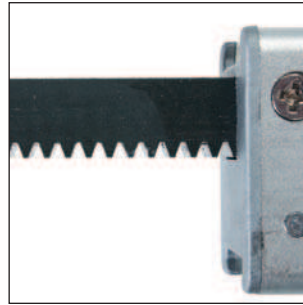
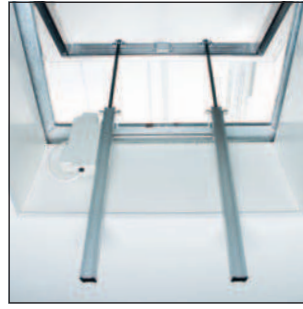
PART No.	RACK GROUP	RACK GROUP DOUBLE PIVOT	AUXILIARY RACK 230 VAC	AUXILIARY RACK 24 VDC
STROKE 180 mm	40223B	40379W	40631P	40636A
STROKE 350 mm	40225D	40380U	40632S	40637C
STROKE 550 mm	40227F	40381V	40633U	40638E
STROKE 750 mm	40754U	40851N	40847J	40849L
STROKE 1000 mm	40755V	40852O	40848K	40850M

CONNECTING ROD: Diameter 12 mm in stainless steel. Quick clutch: fixing accessories are not necessary. Available lengths (distance between racks) are:

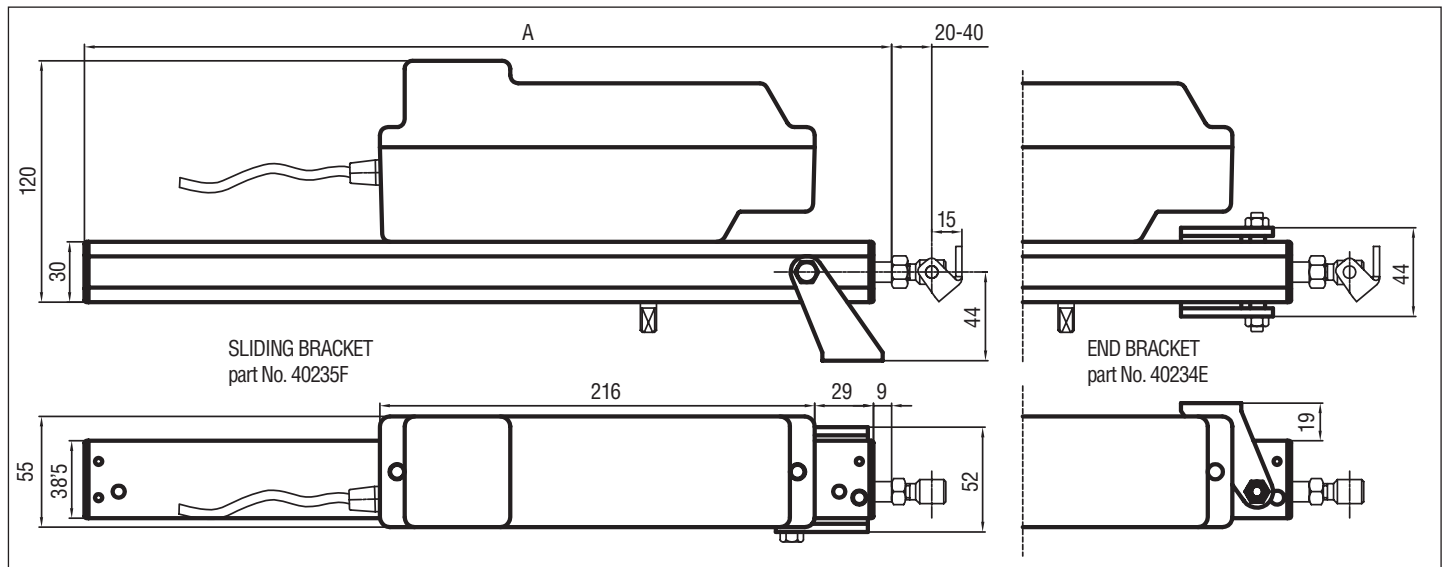
PART No.	
1000 mm	40231B
1500 mm	40232C
2000 mm	40233D



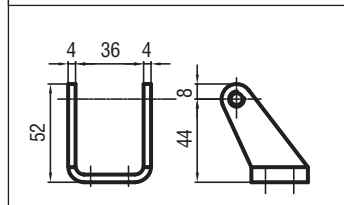
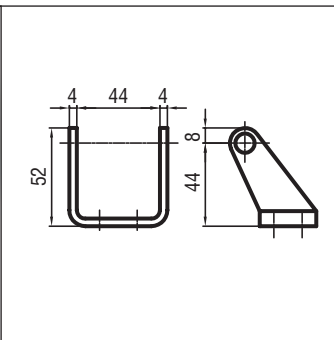
RACK - DUAL RACK - DOUBLE RACK



Actuator dim.



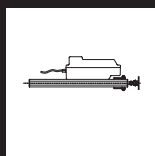
Accessories



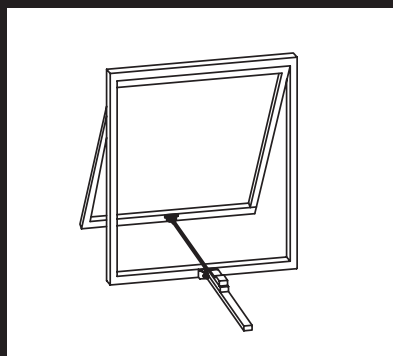
Steel sliding bracket part No. 40235F
It allows the fixing for the whole length of the actuator
To use only for single Rack

Steel connector kit to fix the rack on the vent

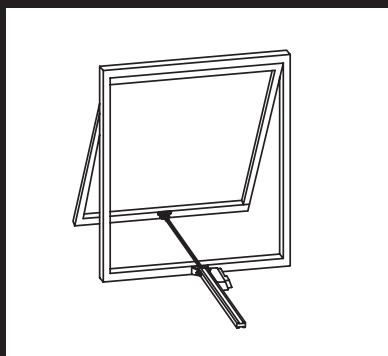
Steel end bracket part No. 40234E
To use for Dual Rack and Double Rack system or single Rack



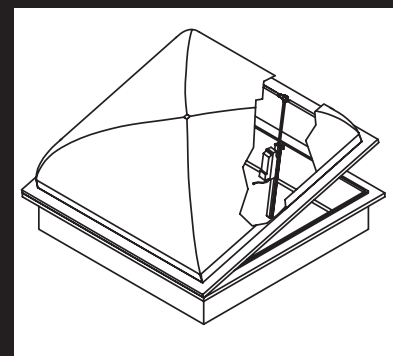
Single Rack



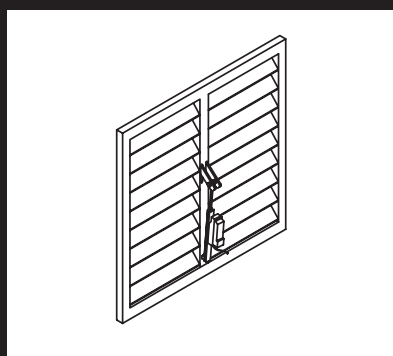
On top hinged window without windowsill with front fixing through sliding bracket part No. 40235F



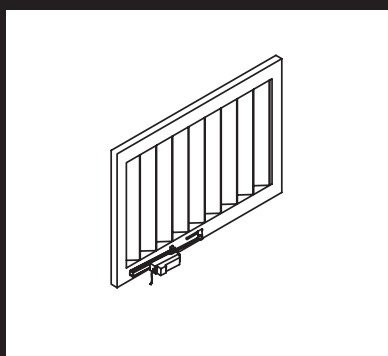
On top hinged window without windowsill with front fixing through end bracket part No. 40234E



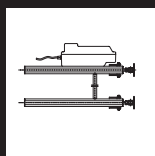
On domes with front fixing through sliding bracket part No. 40235F



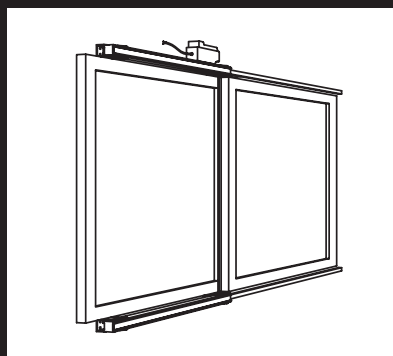
On horizontal louvers with back fixing through sliding bracket part No. 40235F



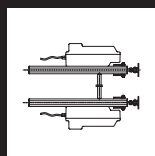
On vertical sun blades with back fixing through sliding bracket part No. 40235F



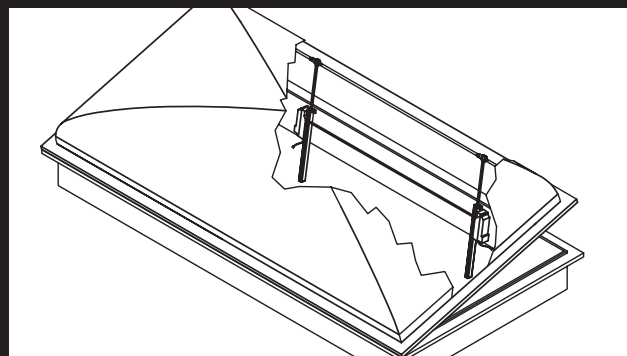
Dual Rack



Installation of the dual Rack on sliding windows with end bracket part No. 40234E and connection of the two actuators through rod



Double Rack



Installation of the Double Rack on domes with end bracket part No. 40234E and connection of the two actuators through rod

⚠ The instructions for a safe installation are included in the section "SECURITY WARNINGS"

SPECIFICATION PROSPECTS

RACK: electric linear actuator Ultraflex Control Systems. Available strokes 180, 350, 550, 750 or 1000 mm
Voltage supply: 230 Vac or 24 Vdc. Electronic safety limit stop and electronic stop in the intermediate positions.
Parallel connection. Colour: silver anodized.

DUAL RACK: system with a second push point composed by one Rack Actuator, one Rack Group, and a connecting rod.
Force 650 N/750 N

DOUBLE RACK: system with a second push point composed by one Rack Actuator, one auxiliary Rack and a connecting rod.
Force 1300 N/1500 N.

Systems with more than two push points can be obtained putting a Rack Group double pivot.

Rack 230 Vac and Rack 24 Vdc are conform to 89/336 EMC directives as modified per 93/68 CE, the 230 Vac version is conform to 73/23 LVD directives.