

A

B

C

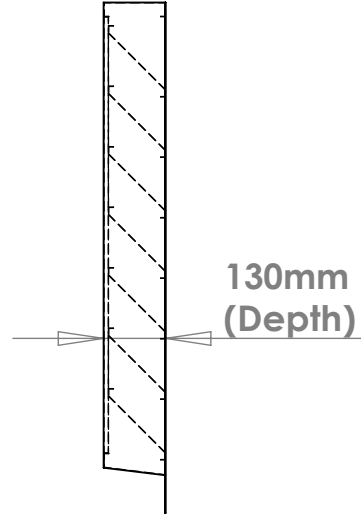
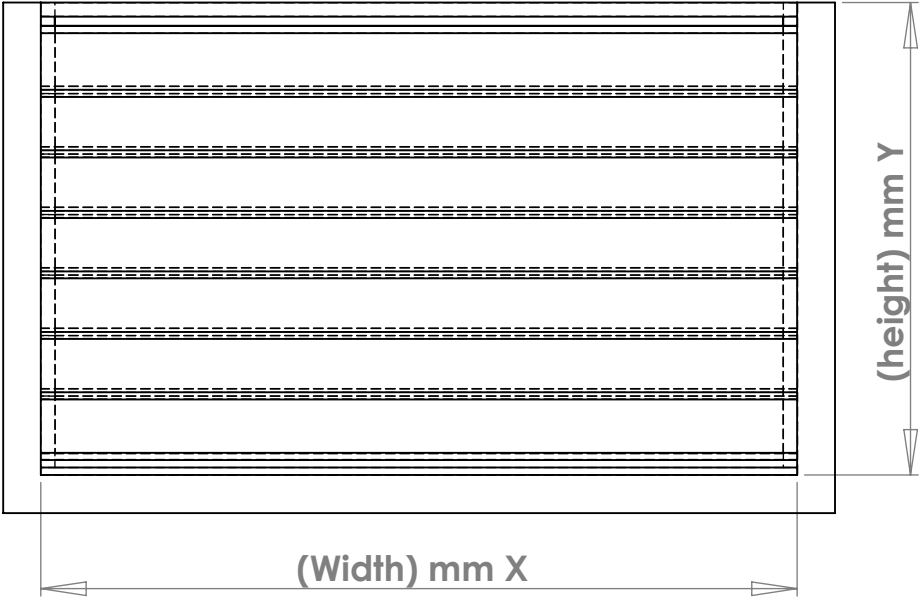
D

A

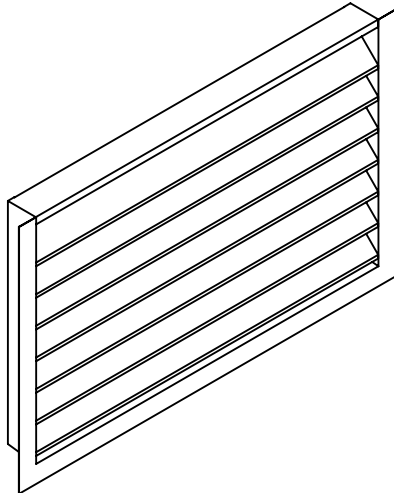
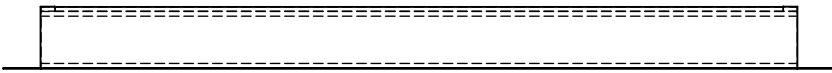
B

C

D



HEIGHT (Y) mm	WIDTH (X)mm
360	1000
490	1500
630	1800
770	
916	
1050	
1190	
1330	
1470	
1610	
1750	



UNLESS OTHERWISE SPECIFIED:
 DIMENSIONS ARE IN MILLIMETERS
 SURFACE FINISH:
 TOLERANCES:
 LINEAR:
 ANGULAR:

FINISH:

DEBUR AND
 BREAK SHARP
 EDGES

	NAME	SIGNATURE	DATE		
DRAWN					
CHK'D					
APPV'D					
MFG					
Q.A					

PRODUCT NAME :

REVISION

**Stormline
 Fixed Louvre**



Ventrite International (Pty) Ltd
 Established 1998
 Tel:+27 11 975-1333
 Fax:+27 11 975-1337
 E-mail:info@ventrite.co.za

This drawing remains the property of VENTRITE INTERNATIONAL (PTY) LTD

MATERIAL:

DWG NO. **VRLF**

A4

WEIGHT:

SCALE:1:20

SHEET 1 OF 1